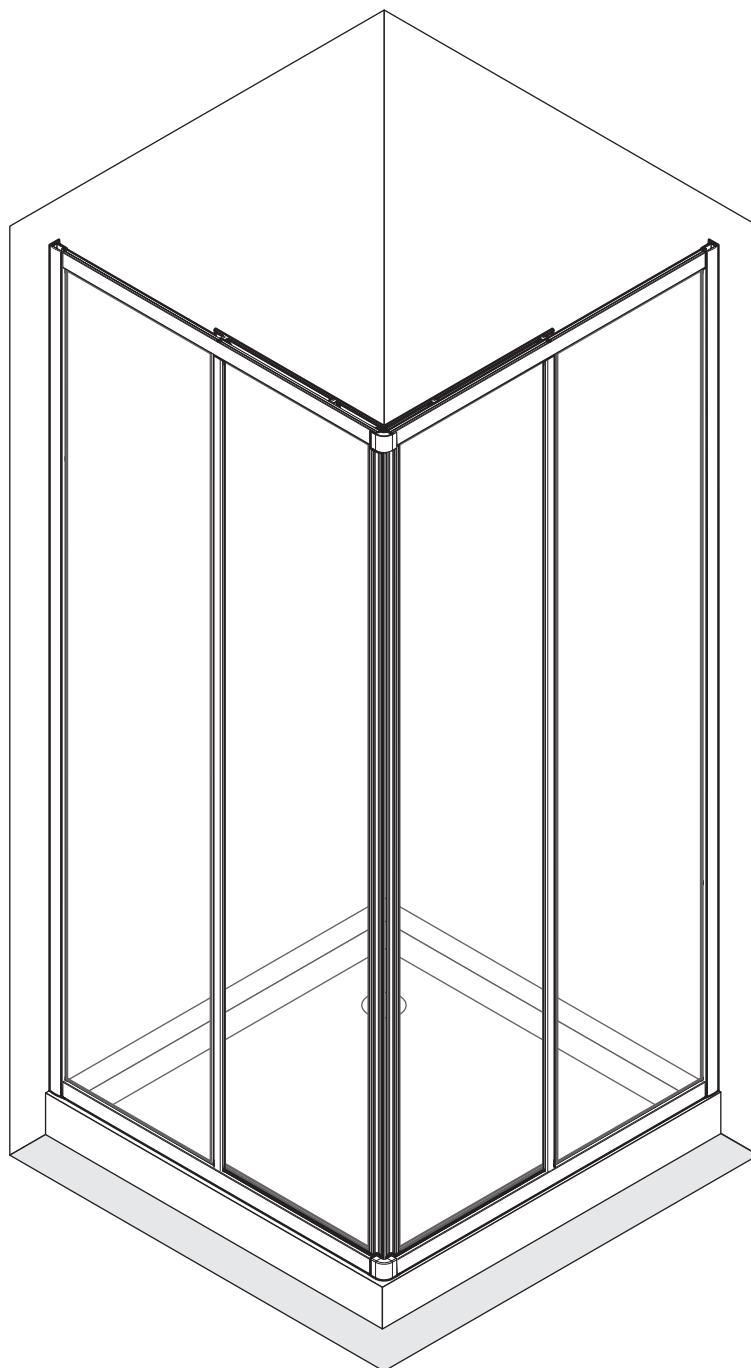
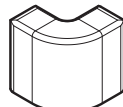
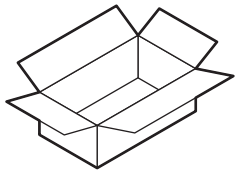
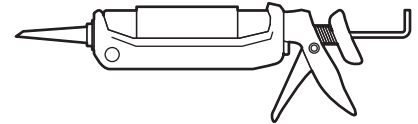
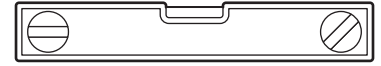
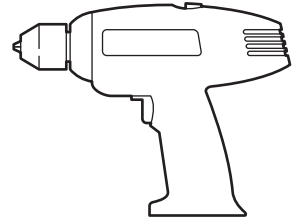
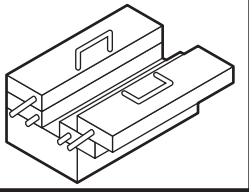


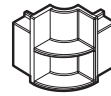
A



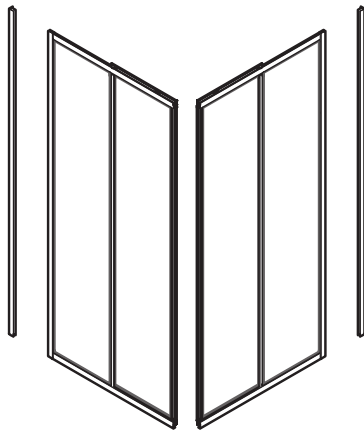
<hr/> <hr/> <hr/> <hr/>	<hr/> <hr/> <hr/> <hr/>
-------------------------	-------------------------



x2



x2



S6 x4



4x35 x4



3,5x9,5 x8



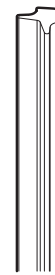
3,5x13 x4



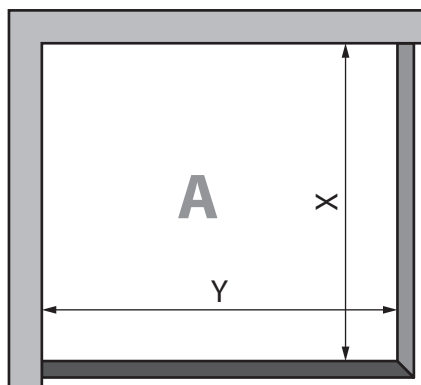
x4



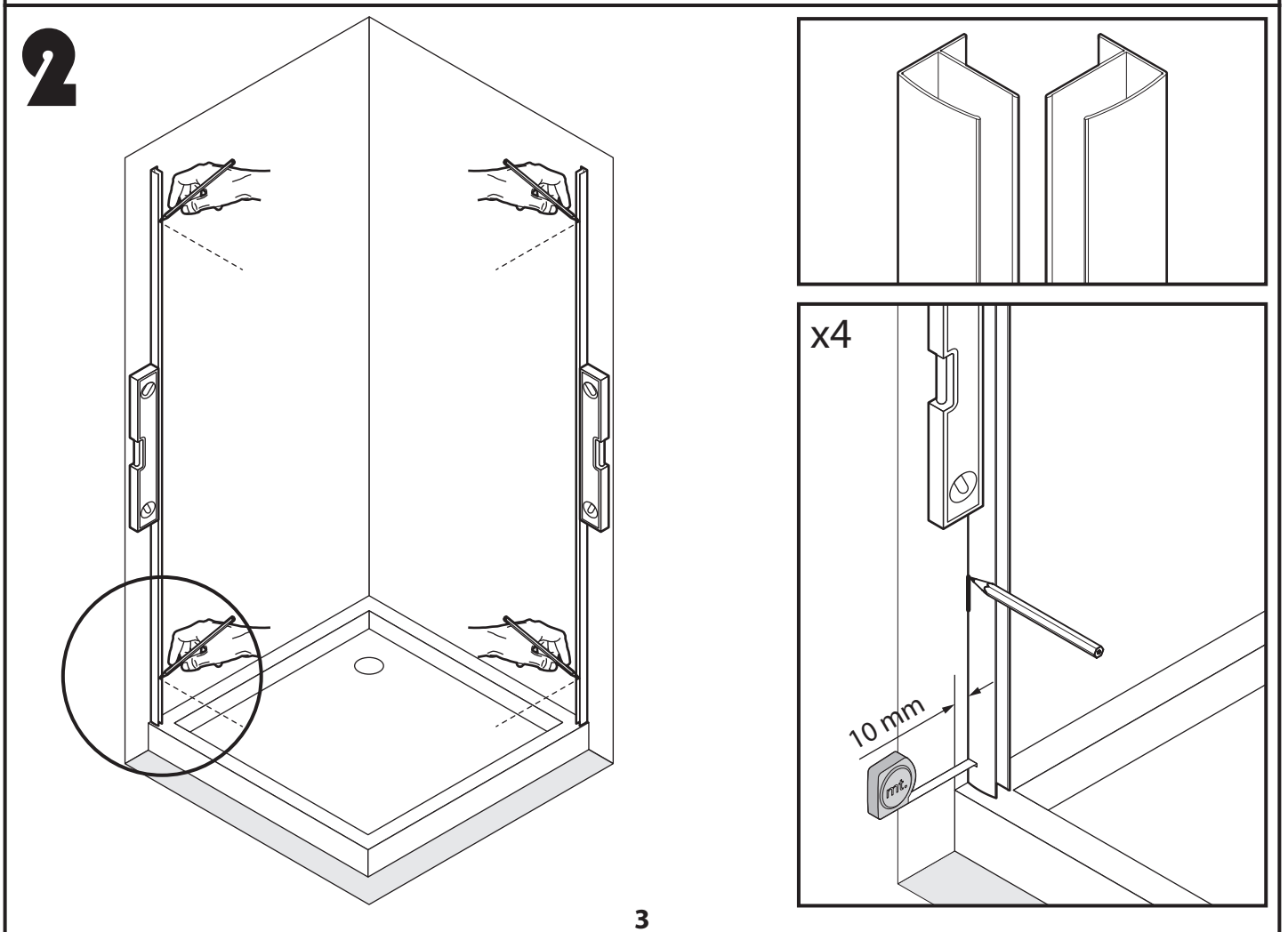
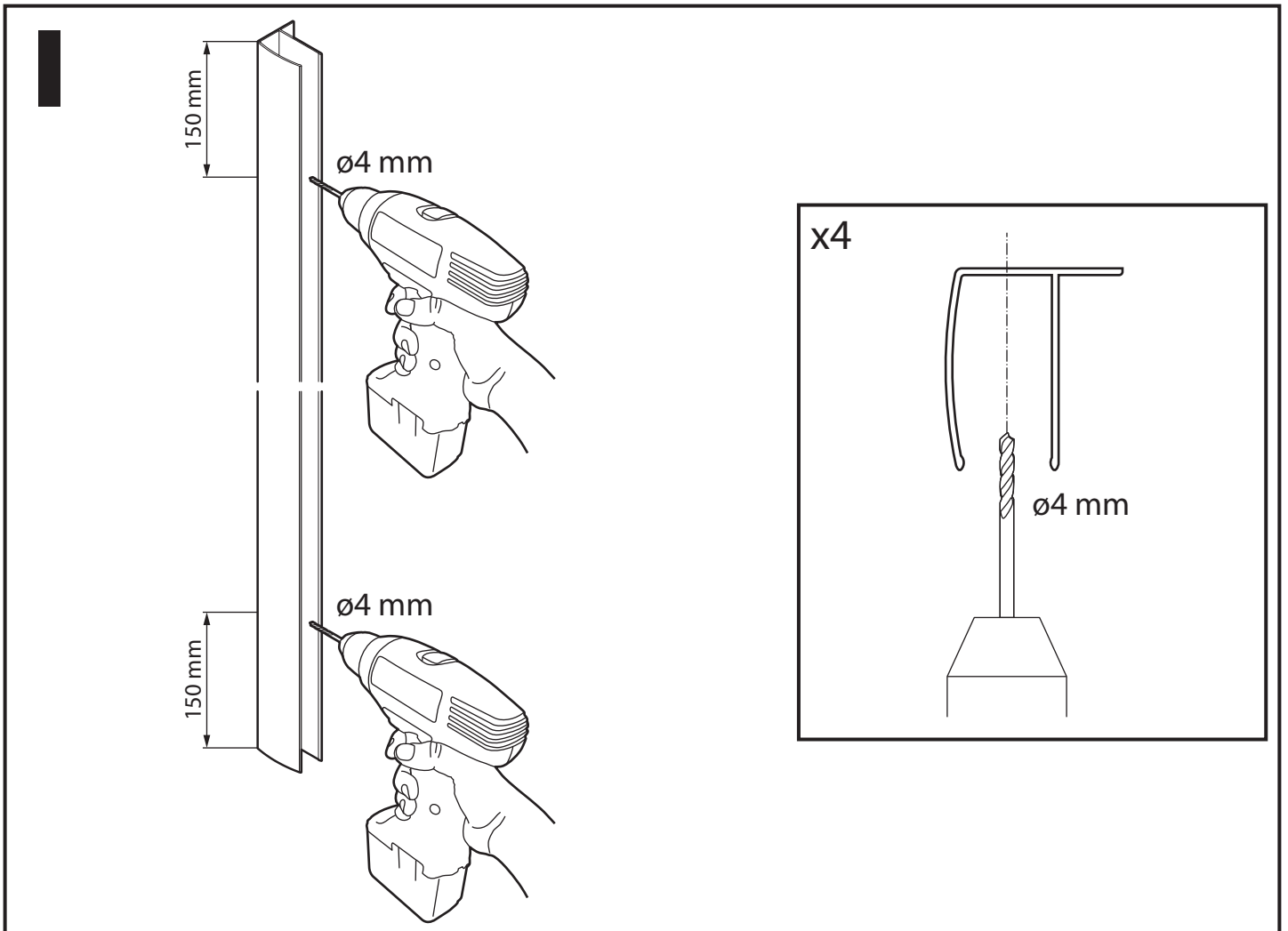
x4



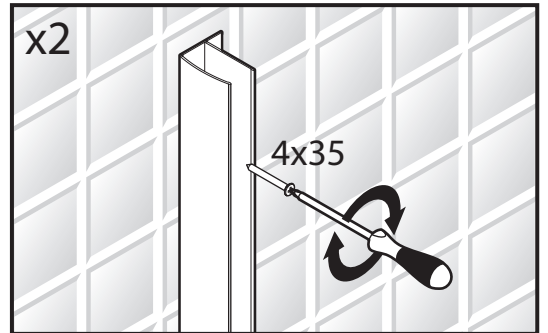
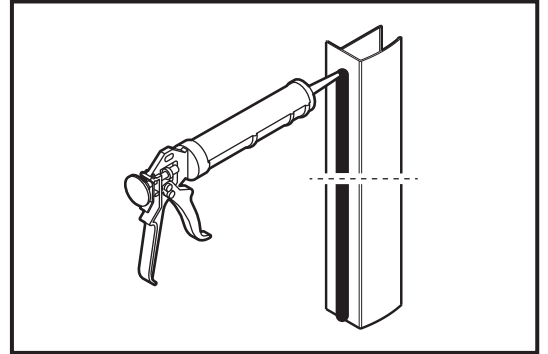
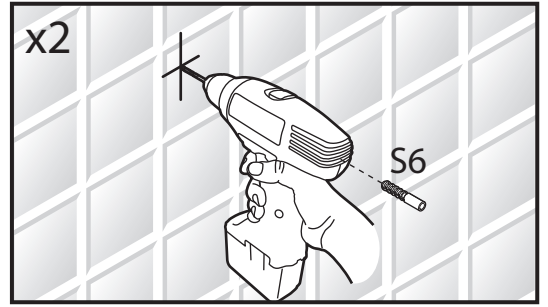
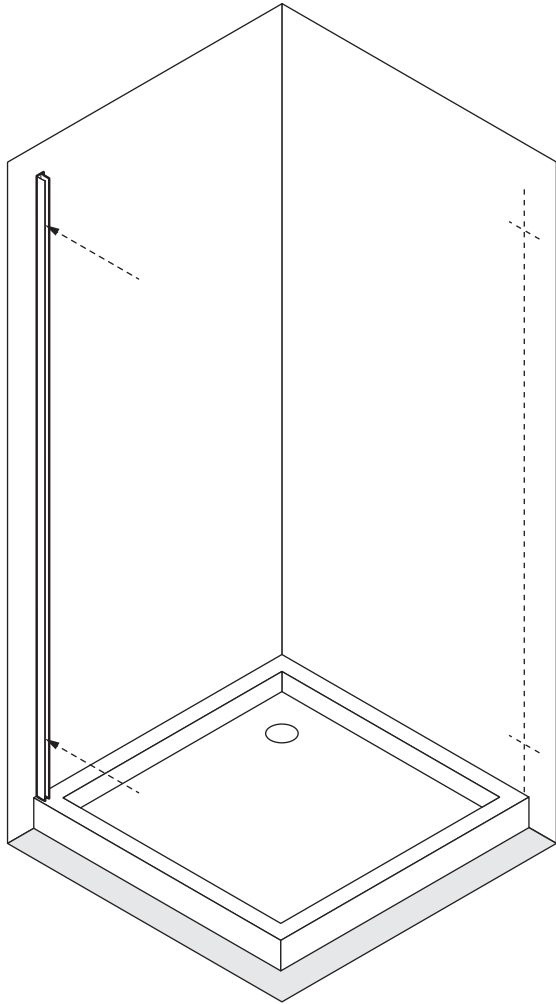
x2



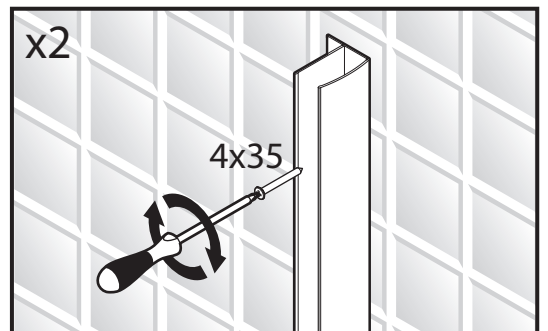
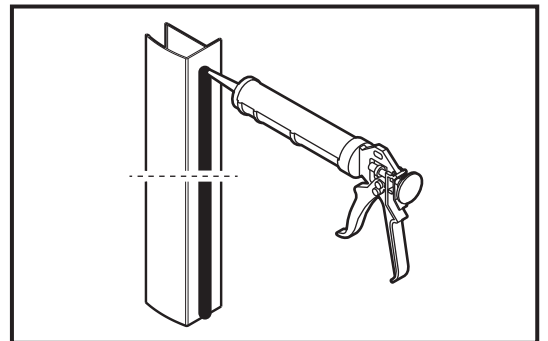
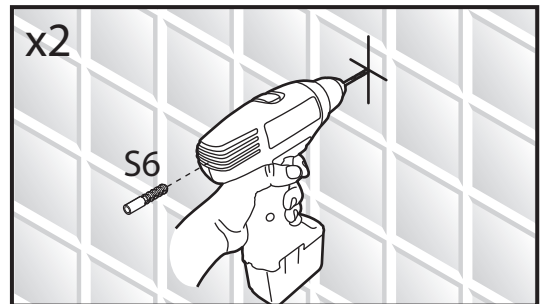
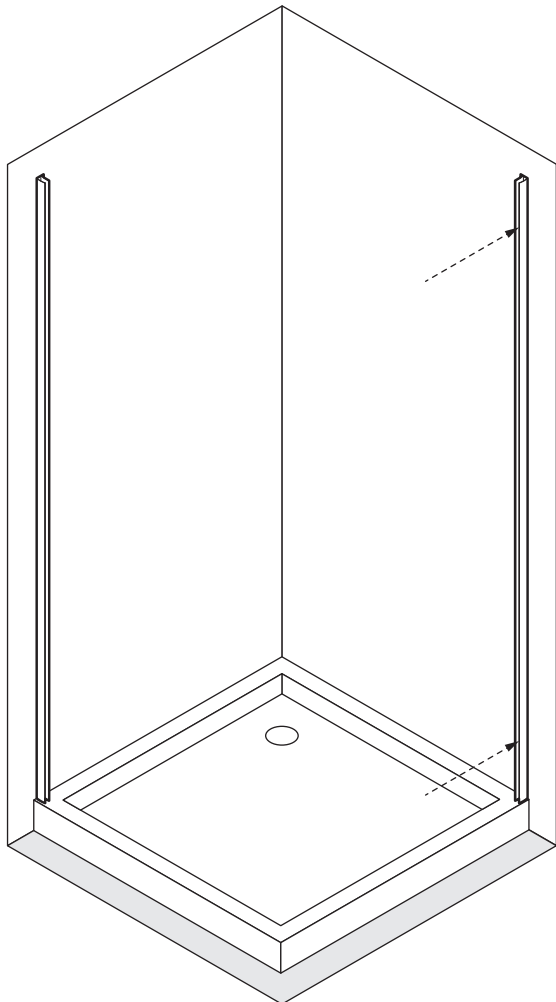
A	X (mm)	Y (mm)	H
65	620-640	620-640	1900
70	670-690	670-690	1900
80	770-790	770-790	1900
90	870-890	870-890	1900
100	970-990	970-990	1900
7090	670-690	870-890	1900
70100	670-690	970-990	1900
80100	770-790	970-990	1900



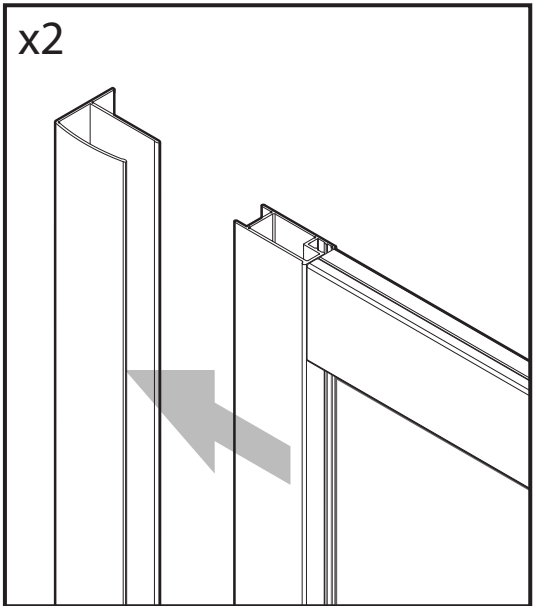
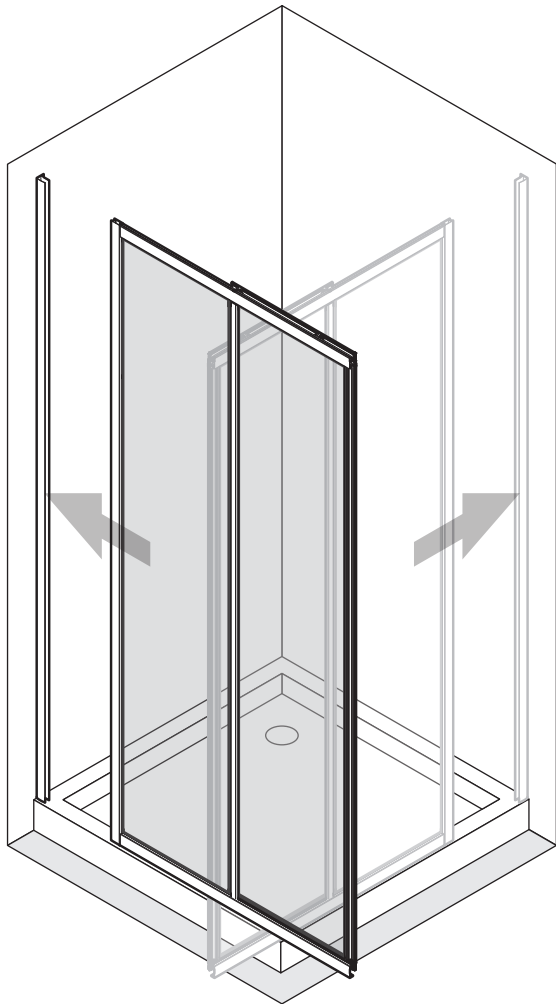
3



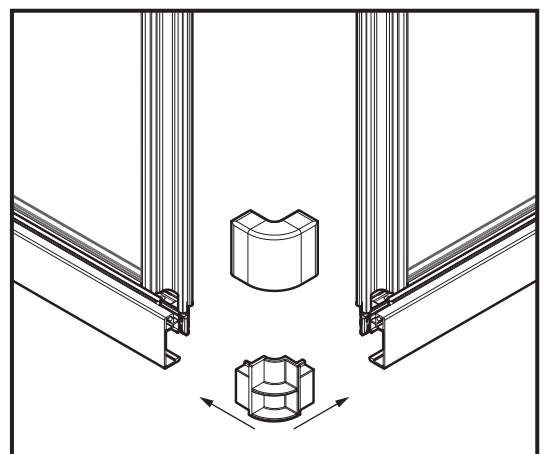
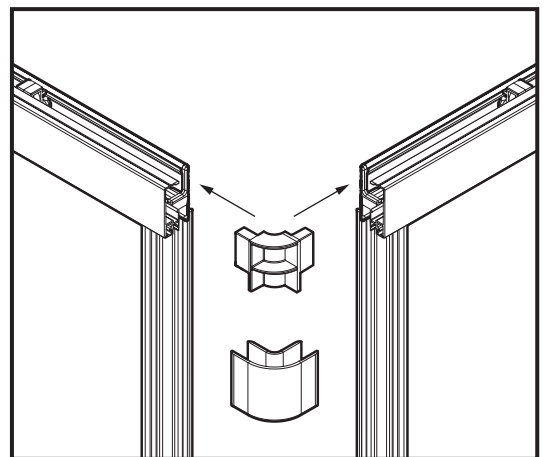
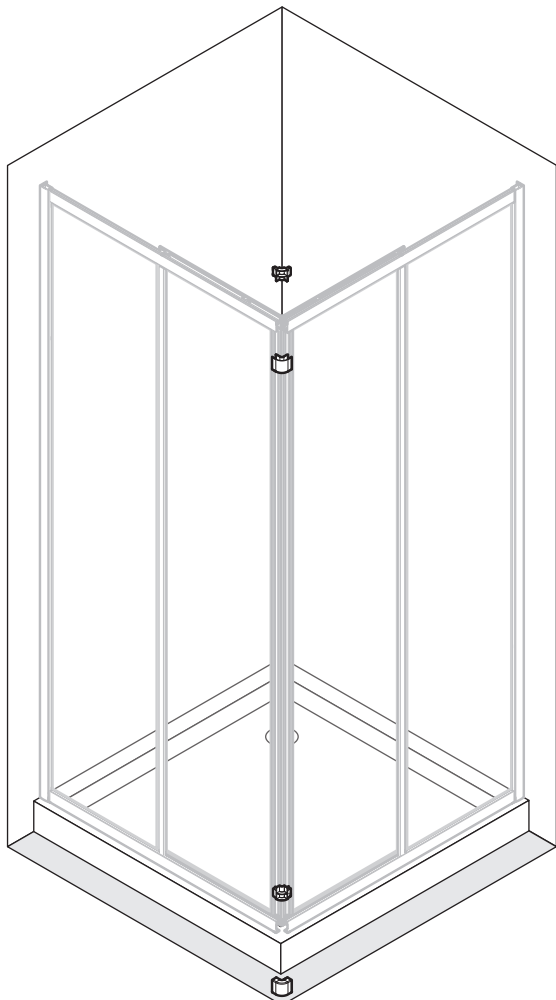
4



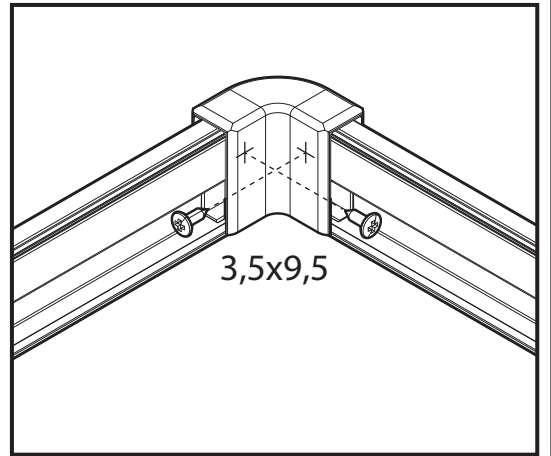
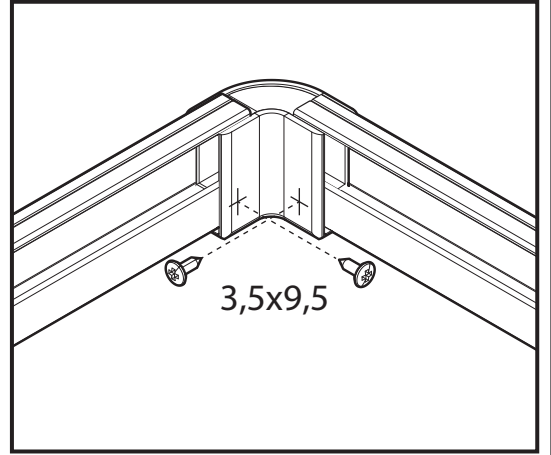
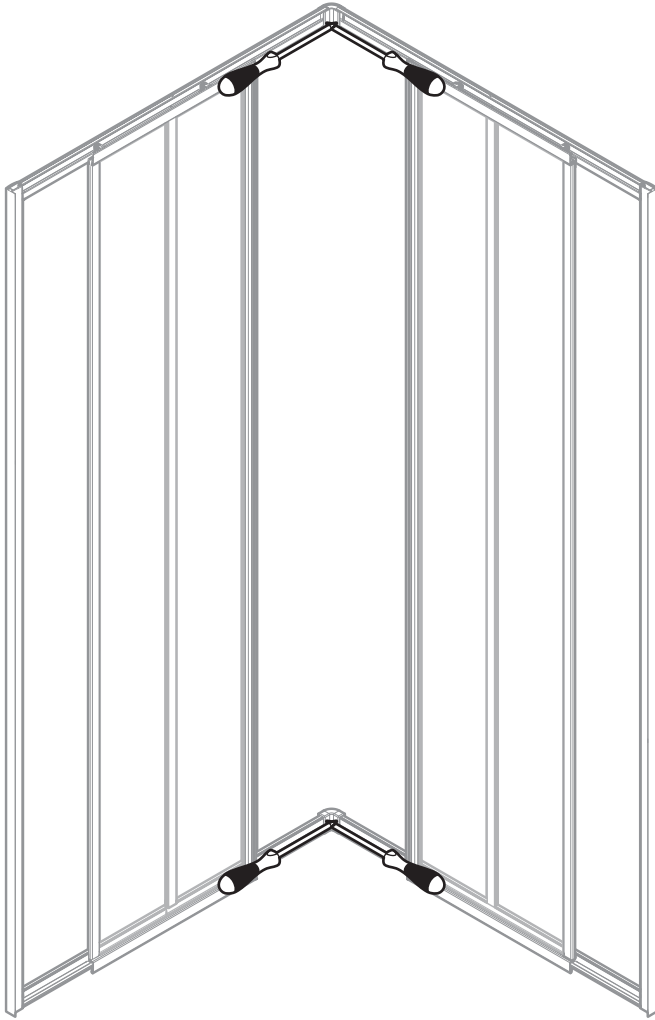
5



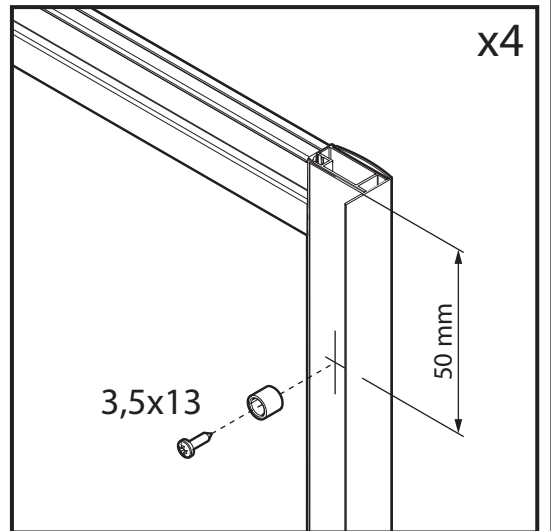
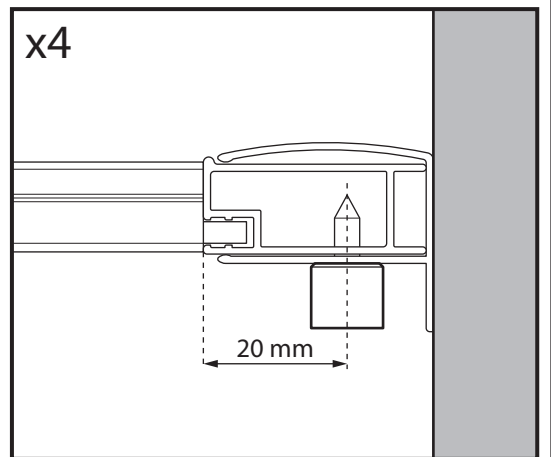
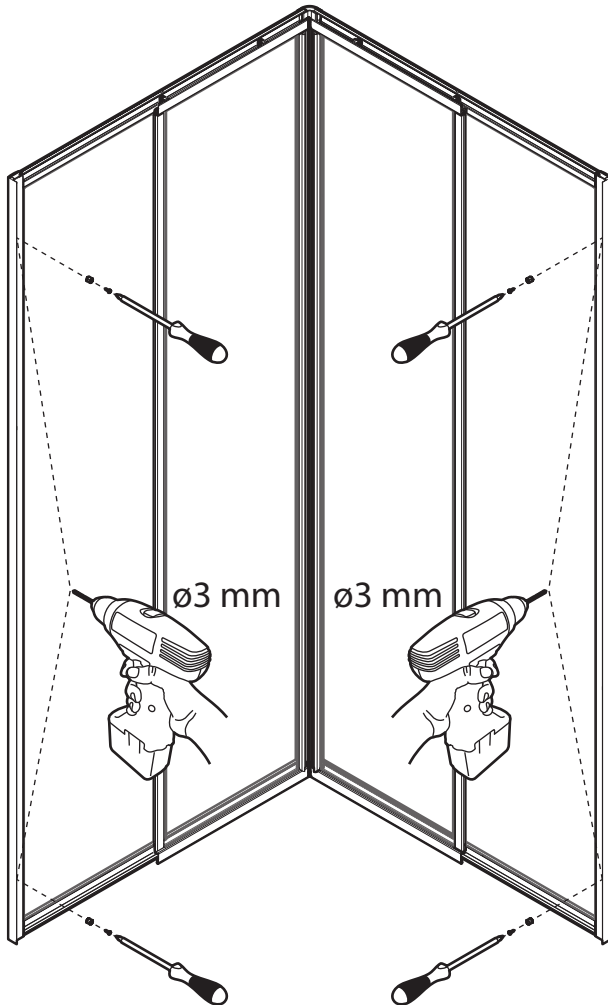
6



7

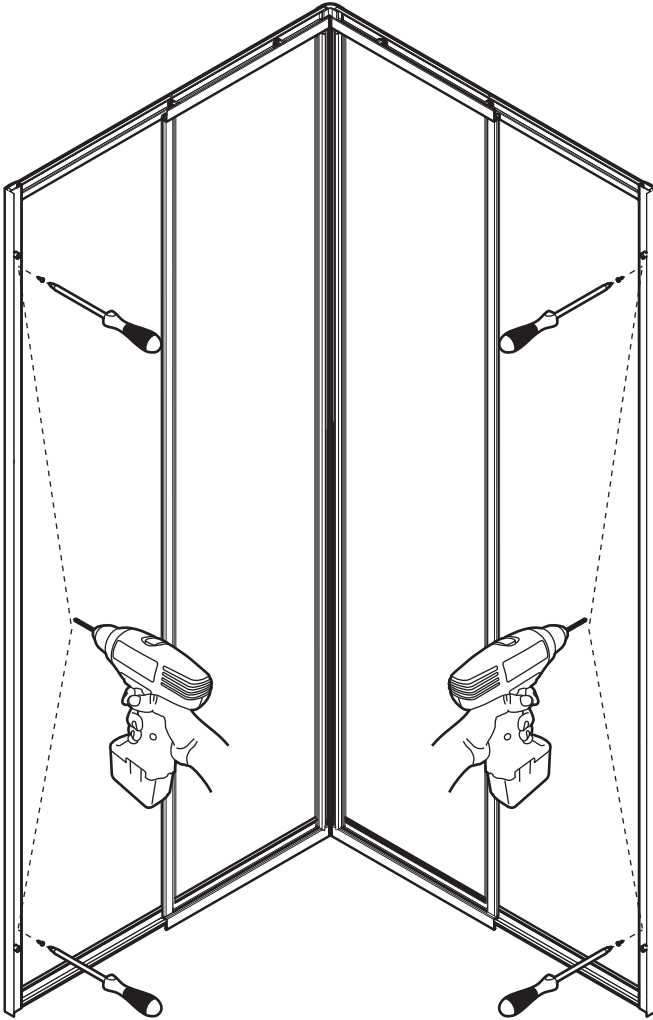


8

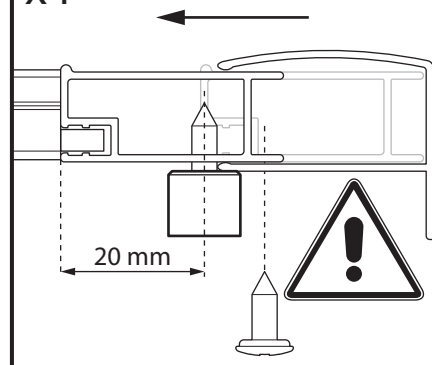


6

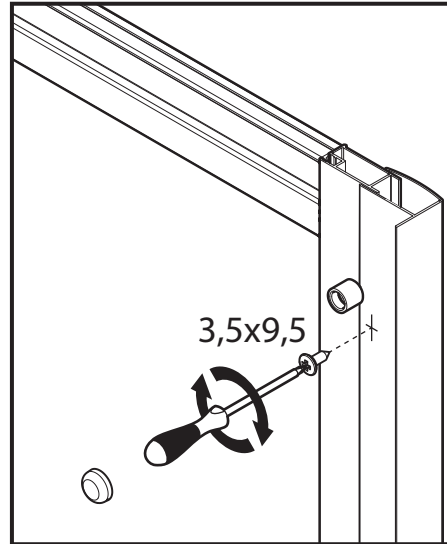
9



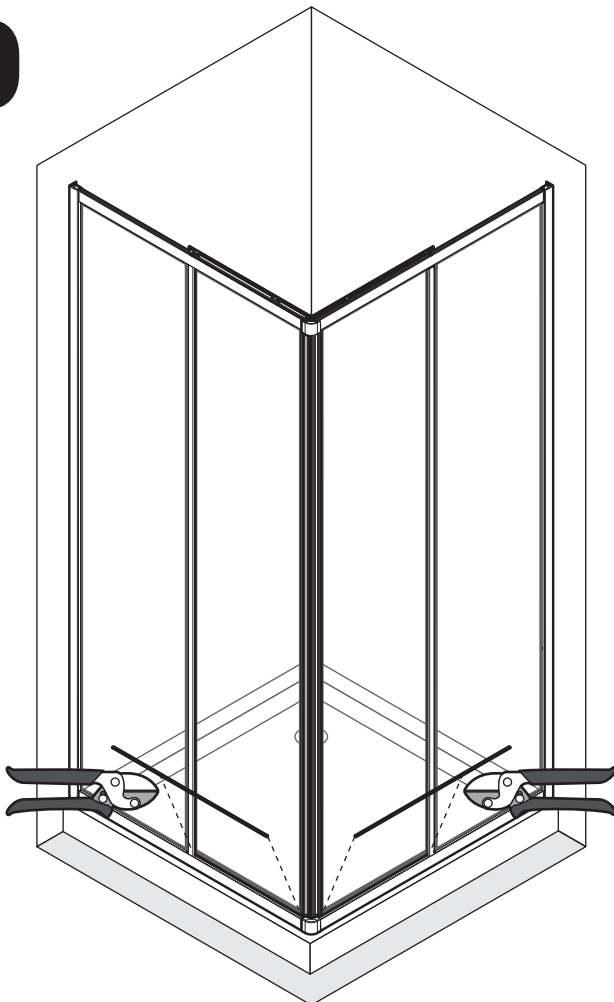
x4



x4



10



x2

